

## Strainers and Sight Glasses



A member of NEUMO Ehrenberg Group



Table of Contents

	Seite
Angle Type Strainers and Accessories	4
Dirt Traps and Accessories	14
Inline Sight Glasses and Accessories	18
Sight Glasses and Accessories	26
Level Indicator	32

\* Asterisk in the price column means: on request

## Angle Type Strainers and Accessories



As one of the most important system components, AWH strainers protect plants and production machines from mechanical damage, keep undesirable particles away from your product and help to prevent production downtimes. AWH strainers are easy to install, have minimal space requirements, and can be used flexibly due to the large number of different filter inserts.

### Technical Parameter

<b>Material:</b>	in contact with the product: 1.4301 (304) /1.4307 (304L), 1.4404 (316L) not in contact with the product: 1.4301 (304) /1.4307 (304L) strainer: 1.4404 (316L)
<b>Surface:</b>	inside: $Ra \leq 0.8 \mu m$ (strainer and welding seam higher) outside: electro polished
<b>Sealing:</b>	grooved ring, seal ring: EPDM (other materials on request)
<b>Compressive strength:</b>	nominal pressure DN25 - DN100: PN10 nominal pressure DN125 - DN150: PN6
<b>Connections:</b>	standard: welding ends DIN EN 10357 alternative: male ends DIN 11851/SMS alternative: liner ends DIN 11851 alternative: clamp ends DIN 32676 (other variants on request)

### Features

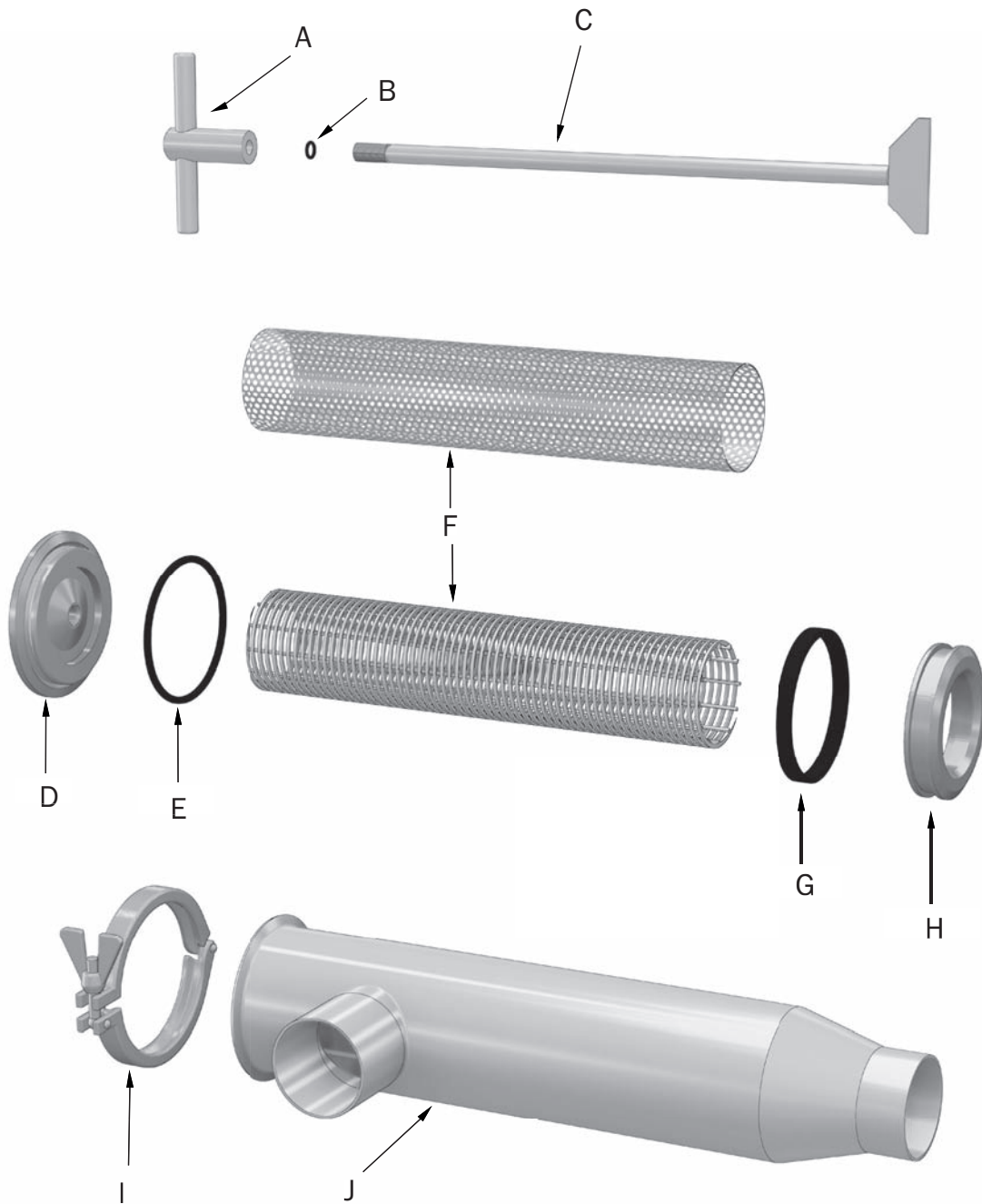
1. The gap width and perforation can be easily adjusted to specific requirements by replacing the strainer insert.
2. Thanks to the built-in heavy duty clamp, no tools are required for assembling and disassembling strainers with nominal diameters up to DN100. This makes replacing the strainer insert quick and easy. DN125 - DN150 feature a DIN 11851 grooved nut.
3. During disassembly of the strainer insert, the gap between the tube and the casing is automatically cleaned by the scraper ring. The slotted tube used has the same dimensions, but features a larger strainer area than conventional perforated sheets.
4. Direction of flow is from the outside to the inside.
5. Determination of the nominal pressure is made on the basis of fluids from Group 1 and for gases from Group 2.
6. Cost-effective production was another important factor in designing this product. Compare us to our competitors. Our prices will impress you.

Not all versions could be included in this catalogue.

Further strainer inserts are available.

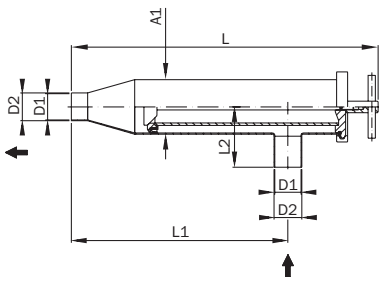
We will be happy to tailor our angle type strainer to meet your needs. For example, with heating.

## Explosion View



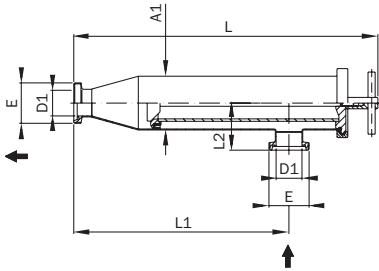
- |                         |                           |
|-------------------------|---------------------------|
| <b>A</b> Locking handle | <b>F</b> Strainer insert  |
| <b>B</b> Seal ring      | <b>G</b> Grooved ring     |
| <b>C</b> Tie rod        | <b>H</b> Scraper ring     |
| <b>D</b> Cap            | <b>I</b> Heavy duty clamp |
| <b>E</b> Seal ring      | <b>J</b> Casing           |

## Angle Type Strainers and Accessories



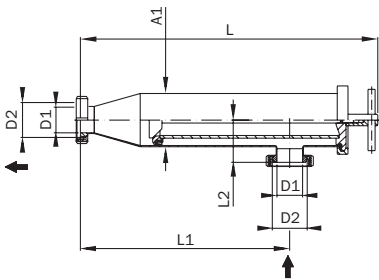
### Angle Type Strainer Weld/Weld DIN

DN DIN	D1	D2	A1	L	L1	L2	Weight [kg]
25	26	29	70	554	406	82	3.3
32	32	35	70	549	401	77	3.2
40	38	41	70	534	386	85	3.2
50	50	53	104	585	413	115	5.0
65	66	70	104	558	386	113	5.2
80	81	85	154	771	563	150	12.2
100	100	104	154	726	517	167	12.8
125	125	129	204	923	650	160	25.2
150	150	154	204	923	650	165	24.4



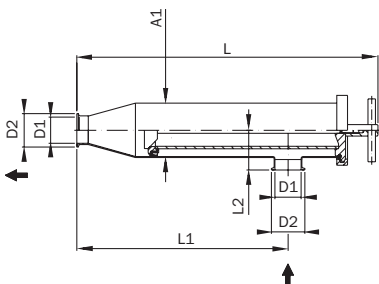
### Angle Type Strainer Male/Male DIN

DN DIN	D1	A1	E	L	L1	L2	Weight [kg]
25	26	70	Rd 52 x 1/6"	561	413	67	3.4
32	32	70	Rd 58 x 1/6"	552	404	70	3.4
40	38	70	Rd 65 x 1/6"	543	395	70	3.5
50	50	104	Rd 78 x 1/6"	589	417	90	5.2
65	66	104	Rd 95 x 1/6"	565	393	95	5.4
80	81	154	Rd 110 x 1/4"	777	573	125	13.5
100	100	154	Rd 130 x 1/4"	750	546	134	13.6
125	125	204	Rd 160 x 1/4"	927	654	161	26.6
150	150	204	Rd 190 x 1/4"	931	658	160	27.9



### Angle Type Strainer Liner/Liner DIN

DN DIN	D1	D2	A1	L	L1	L2	Weight [kg]
25	26	44	70	554	406	60	3.7
32	32	50	70	545	397	63	3.8
40	38	56	70	536	388	64	3.9
50	50	68.5	104	582	410	83	6.1
65	66	86	104	557	385	87	6.8
80	81	100	154	772	565	114	14.6
100	100	121	154	745	536	124	15.3
125	125	150	204	915	642	149	29.1
150	150	176	204	918	645	152	31.0



### Angle Type Strainer Clamp/Clamp DIN

DN DIN	D1	D2	A1	L	L1	L2	Weight [kg]
25	26	50.5	70	554	406	60	3.3
32	32	50.5	70	542	394	60	3.3
40	38	50.5	70	532	384	60	3.3
50	50	64	104	576	404	76	5.4
65	66	91	104	553	381	83	5.6
80	81	106	154	760	556	108	12.9
100	100	119	154	724	520	108	12.7
125	125	155	204	909	636	143	25.6
150	150	183	204	909	636	143	26.0

## Angle Type Strainers and Accessories

### Angle Type Strainer Weld/Weld DIN

1.4301 (304)/EPDM			1.4404 (316L)/EPDM	
DN DIN	Price/EUR	Article No.	Price/EUR	Article No.
25	230,00	61019 211 025 10	289,00	61019 211 025 30
32	240,00	61019 211 032 10	309,00	61019 211 032 30
40	300,00	61019 211 040 10	361,00	61019 211 040 30
50	330,00	61019 211 050 10	392,00	61019 211 050 30
65	370,00	61019 211 065 10	443,00	61019 211 065 30
80	590,00	61019 211 080 10	680,00	61019 211 080 30
100	645,00	61019 211 100 10	871,00	61019 211 100 30
125	1943,00	61019 211 125 10	*	61019 211 125 30
150	2409,00	61019 211 150 10	*	61019 211 150 30

Price incl. 0.5 mm slotted strainer tube

### Angle Type Strainer Male/Male DIN

1.4301 (304)/EPDM			1.4404 (316L)/EPDM	
DN DIN	Price/EUR	Article No.	Price/EUR	Article No.
25	241,00	61019 111 025 10	304,00	61019 111 025 30
32	253,00	61019 111 032 10	326,00	61019 111 032 30
40	313,00	61019 111 040 10	378,00	61019 111 040 30
50	345,00	61019 111 050 10	412,00	61019 111 050 30
65	393,00	61019 111 065 10	473,00	61019 111 065 30
80	625,00	61019 111 080 10	726,00	61019 111 080 30
100	697,00	61019 111 100 10	940,00	61019 111 100 30
125	2037,00	61019 111 125 10	*	61019 111 125 30
150	2571,00	61019 111 150 10	*	61019 111 150 30

Price incl. 0.5 mm slotted strainer tube

### Angle Type Strainer Liner/Liner DIN

1.4301 (304)/EPDM			1.4404 (316L)/EPDM	
DN DIN	Price/EUR	Article No.	Price/EUR	Article No.
25	249,00	61019 311 025 10	310,00	61019 311 025 30
32	261,00	61019 311 032 10	332,00	61019 311 032 30
40	322,00	61019 311 040 10	386,00	61019 311 040 30
50	356,00	61019 311 050 10	421,00	61019 311 050 30
65	409,00	61019 311 065 10	487,00	61019 311 065 30
80	652,00	61019 311 080 10	749,00	61019 311 080 30
100	733,00	61019 311 100 10	971,00	61019 311 100 30
125	2113,00	61019 311 125 10	*	61019 311 125 30
150	2745,00	61019 311 150 10	*	61019 311 150 30

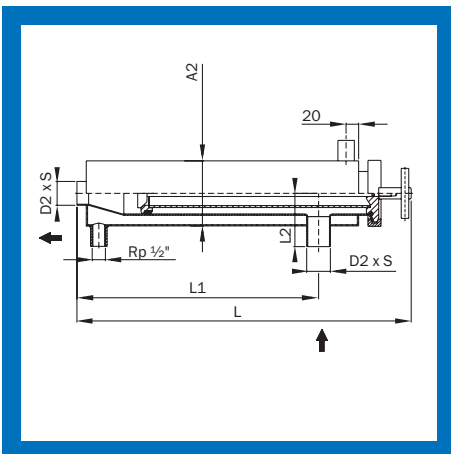
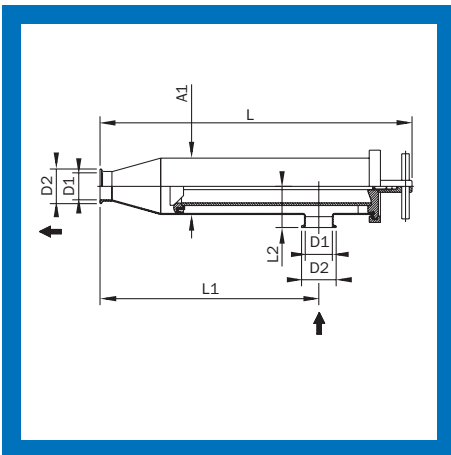
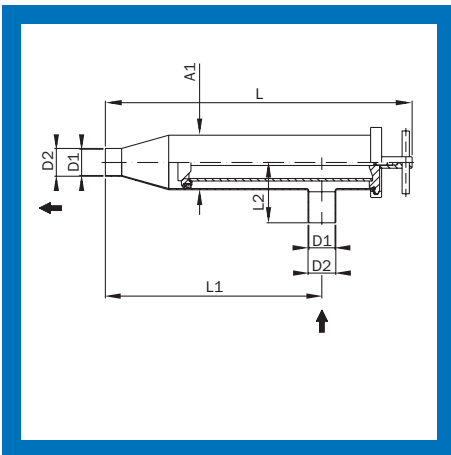
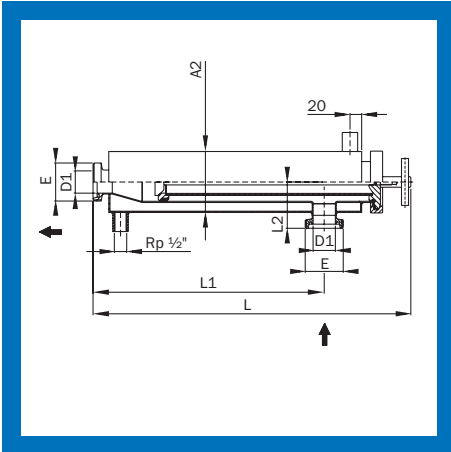
Price incl. 0.5 mm slotted strainer tube

### Angle Type Strainer Clamp/Clamp DIN

1.4301 (304)/EPDM			1.4404 (316L)/EPDM	
DN DIN	Price/EUR	Article No.	Price/EUR	Article No.
25	245,00	61019 411 025 10	306,00	61019 411 025 30
32	255,00	61019 411 032 10	326,00	61019 411 032 30
40	315,00	61019 411 040 10	378,00	61019 411 040 30
50	346,00	61019 411 050 10	411,00	61019 411 050 30
65	392,00	61019 411 065 10	470,00	61019 411 065 30
80	630,00	61019 411 080 10	727,00	61019 411 080 30
100	704,00	61019 411 100 10	938,00	61019 411 100 30
125	2040,00	61019 411 125 10	*	61019 411 125 30
150	2527,00	61019 411 150 10	*	61019 411 150 30

Price incl. 0.5 mm slotted strainer tube

# Angle Type Strainers and Accessories



**Angle Type Strainer heatable Male/Male DIN**

DN DIN	D1	E	L	L1	L2	A2 - Heating jacket	Weight [kg]
25	26	Rd 52 x 1/6"	561	413	86	104 x 2	6.0
40	38	Rd 65 x 1/6"	543	395	79	104 x 2	6.2
50	50	Rd 78 x 1/6"	589	417	90	129 x 2	8.9
65	66	Rd 95 x 1/6"	565	393	95	129 x 2	9.1
80	81	Rd 110 x 1/4"	777	572	135	204 x 2	20.5
100	100	Rd 130 x 1/4"	755	546	154	204 x 2	20.2

**Angle Type Strainer Inch Weld/Weld**

DN Inch	D1	D2	A1	L	L1	L2	Weight [kg]
1"	22.2	25.4	70	553	407	82	3.2
1 1/2"	34.9	38.1	70	535	388	85	3.3
2"	47.6	50.8	104	585	413	115	5.4
2 1/2"	60.3	63.5	104	558	387	115	5.4
3"	72.9	76.1	154	769	563	150	12.9
4"	97.6	101.6	154	724	515	167	12.8

**Angle Type Strainer Clamp/Clamp Inch**

DN Inch	D1	D2	A1	L	L1	L2	Weight [kg]
1"	22.1	50.5	70	561	412	66	3.3
1 1/2"	34.8	50.5	70	545	398	66	3.3
2"	47.5	64	104	588	417	82	5.4
2 1/2"	60.2	77.5	104	553	381	83	5.4
3"	72.9	91	154	776	570	108	13.0
4"	97.4	119	154	732	526	108	12.9

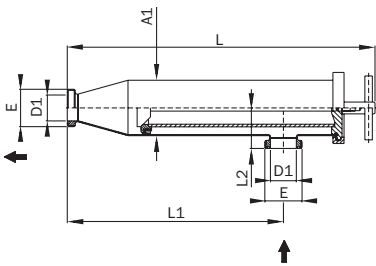
**Angle Type Strainer heatable Weld/Weld Inch**

DN Inch	D2 x S	L	L1	L2	A2 - Heating jacket	Weight [kg]
1"	25.4 x 1.6	554	406	82	104 x 2	5.8
1 1/2"	38.1 x 1.6	534	389	85	104 x 2	5.8
2"	50.8 x 1.6	585	413	115	129 x 2	8.7
2 1/2"	63.5 x 1.6	558	389	113	129 x 2	8.9
3"	76.1 x 1.6	787	583	150	204 x 2	20.3
4"	101.1 x 2	750	546	167	204 x 2	20.1



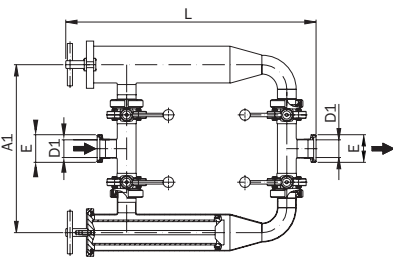


## Angle Type Strainers and Accessories



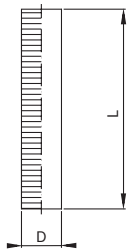
### Angle Type Strainer Male/Male SMS

DN SMS	D1	A1	E	L	L1	L2	Weight [kg]
25	22.6	70	Rd 40 x 1/6"	547	407	52	3.3
38	35.6	70	Rd 60 x 1/6"	537	390	57	3.3
51	48.6	104	Rd 70 x 1/6"	578	407	75	5.6
63.5	60.3	104	Rd 85 x 1/6"	549	377	79	5.9
76.1	72.9	154	Rd 98 x 1/6"	756	552	104	13.5
101.6	97.6	154	Rd 132 x 1/6"	738	531	125	13.7



### Angle Type Strainer Combination

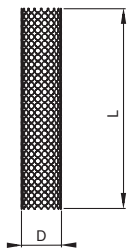
DN DIN	D1	E	A1	L	L1	Weight [kg]
25	26	Rd 52 x 1/6"	350	643	558	13.4
32	32	Rd 58 x 1/6"	342	641	560	13.8
40	38	Rd 65 x 1/6"	378	646	575	16.0
50	50	Rd 78 x 1/6"	474	707	620	22.6
65	66	Rd 95 x 1/6"	464	704	630	26.8
80	81	Rd 110 x 1/4"	617	940	847	51.4
100	100	Rd 130 x 1/4"	588	930	853	56.6



### Slotted Strainer Tube

DN DIN	D	L	Free screening area (cm <sup>2</sup> )		Weight [kg]
			0.5 mm	1 mm	
25 - 40	45	353	161	241	approx. 0.5
50 - 65	70	350	248	372	approx. 0.8
80 - 100	110	470	527	791	approx. 1.3
125 - 150	164	750	1139	1574	approx. 6.1

Other gap width  
on request from 0.05 mm.

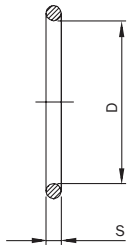


### Perforated Strainer

DN DIN	D	L	Free screening area (cm <sup>2</sup> )				Weight [kg]
			1 mm	1.5 mm	2.5 mm	8 mm	
25 - 40	45	353	126.76	152.71	166.68	191.13	approx. 0.3
50 - 65	70	350	195.5	235.53	257.08	294.79	approx. 0.4
80 - 100	110	470	412.55	497.01	542.48	622.07	approx. 0.8
125 - 150	164	750		1182.38	1290.58	1479.91	approx. 2.0

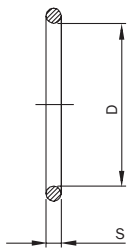


## Angle Type Strainers and Accessories



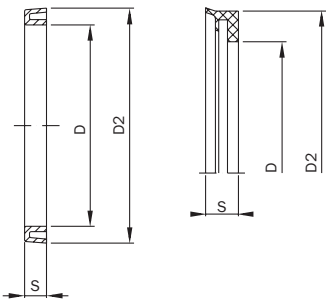
**Seal Ring for Tie Rod**

DN DIN	D	S	Weight [kg]
25 - 40	6	2	0.01
50 - 65	8	2	0.01
80 - 150	12	2	0.01



**Seal Ring for Cap**

DN DIN	D	S	Weight [kg]
25 - 40	53.34	5.33	0.020
50 - 65	86.5	5	0.030
80 - 100	see grooved ring		
125 - 150	204	7	0.036



**Grooved Ring**

DN DIN	D	D2	S	Weight [kg]
25 - 40	50	65	11	0.01
50 - 65	92	100	10	0.01
80 - 100	120	148	15	0.07
125 - 150	190	200	12.5	0.07

DN25 - DN65  
DN125 - DN150

DN80 - DN100

## Angle Type Strainers and Accessories

### Seal Ring for Tie Rod

EPDM		NBR		FKM		
DN DIN	Price/EUR	Article No.	Price/EUR	Article No.	Price/EUR	Article No.
25 - 40	2,30	10605 000 006 54	2,00	10605 000 006 55	2,60	10605 000 006 56
50 - 65	2,40	10605 000 008 54	2,10	10605 000 008 55	2,70	10605 000 008 56
80 - 150	2,50	10605 000 012 04	2,20	10605 000 012 05	2,80	10605 000 012 06

### Seal Ring for Cap

EPDM		NBR		FKM		
DN DIN	Price/EUR	Article No.	Price/EUR	Article No.	Price/EUR	Article No.
25 - 40	5,37	10605 000 053 31	5,13	10605 000 053 30	9,99	10605 000 053 32
50 - 65	5,78	1129 00 84 1	5,33	1129 00 84 3	11,56	1129 00 84 2
80 - 100	16,51	61019 010 004 1	19,84	61019 010 004 3	56,10	61019 010 004 2
125 - 150	21,16	10008 000 200 54	17,63	10004 000 200 54	59,63	10006 000 200 54

### Grooved Ring

EPDM		NBR		FKM		
DN DIN	Price/EUR	Article No.	Price/EUR	Article No.	Price/EUR	Article No.
25 - 40	7,36	37503	8,82	37508	16,44	37521
50 - 65	7,29	37502	8,74	37507	14,28	37522
80 - 100	16,51	61019 010 004 1	19,84	61019 010 004 3	56,10	61019 010 004 2
125 - 150	51,15	37509	51,15	37510	137,80	37531

## Dirt Traps and Accessories



AWH dirt traps protect your product and plant components, pumps, heat exchangers etc., from foreign objects that can cause malfunctions. Our dirt traps are Y-shaped (Y filter). The direction of flow is always from the inside to the outside. The trap should be installed so that the filter insert is removed from below. Its streamlined shape ensures reliable processes in a simple and cost-effective way.

We offer gap filters with gap widths of 1.0 mm, 0.5 mm and 0.25 mm. Compared to conventional perforated sheets, slotted tubes offer much greater pressure stability and a larger screening area.

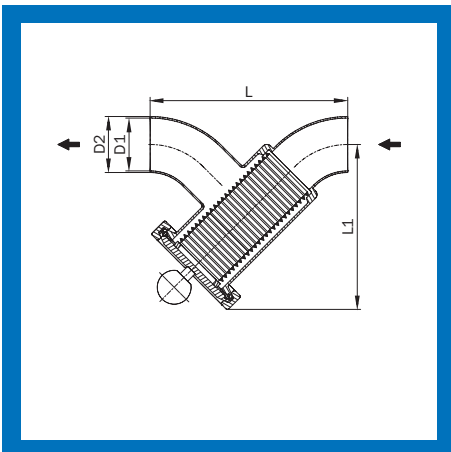
### Technical Parameter

<b>Material:</b>	in contact with the product: 1.4301 (304) /1.4307 (304L), 1.4404 (316L) not in contact with the product: 1.4301 (304) /1.4307 (304L) strainer: 1.4435 (316L)
<b>Surface:</b>	inside: Ra ≤ 0.8 μm (strainer and welding seam higher) outside: electro polished
<b>Sealing:</b>	clamp seal ring DIN 32676: (other materials on request)
<b>Compressive strength:</b>	nominal pressure: PN10
<b>Connections:</b>	standard: welding ends DIN EN 10357 alternative: male ends DIN 11851 alternative: clamp ends DIN 32676 (other variants on request)

### Overview Kv-Value

The Kv-value describes the rate of flow in m<sup>3</sup>/h of water up to 15 °C with a pressure loss of 1 bar (=Δp)

Kv-Value							
Gap width in mm	DN	25	40	50	65	80	100
1	Kv	16.7	33.5	51.5	86.7	127.6	192.3
0.5	Kv	15.1	28.6	43	69.2	103.1	155.2
0.25	Kv	13.6	24.8	36.5	56.2	83.6	127.9

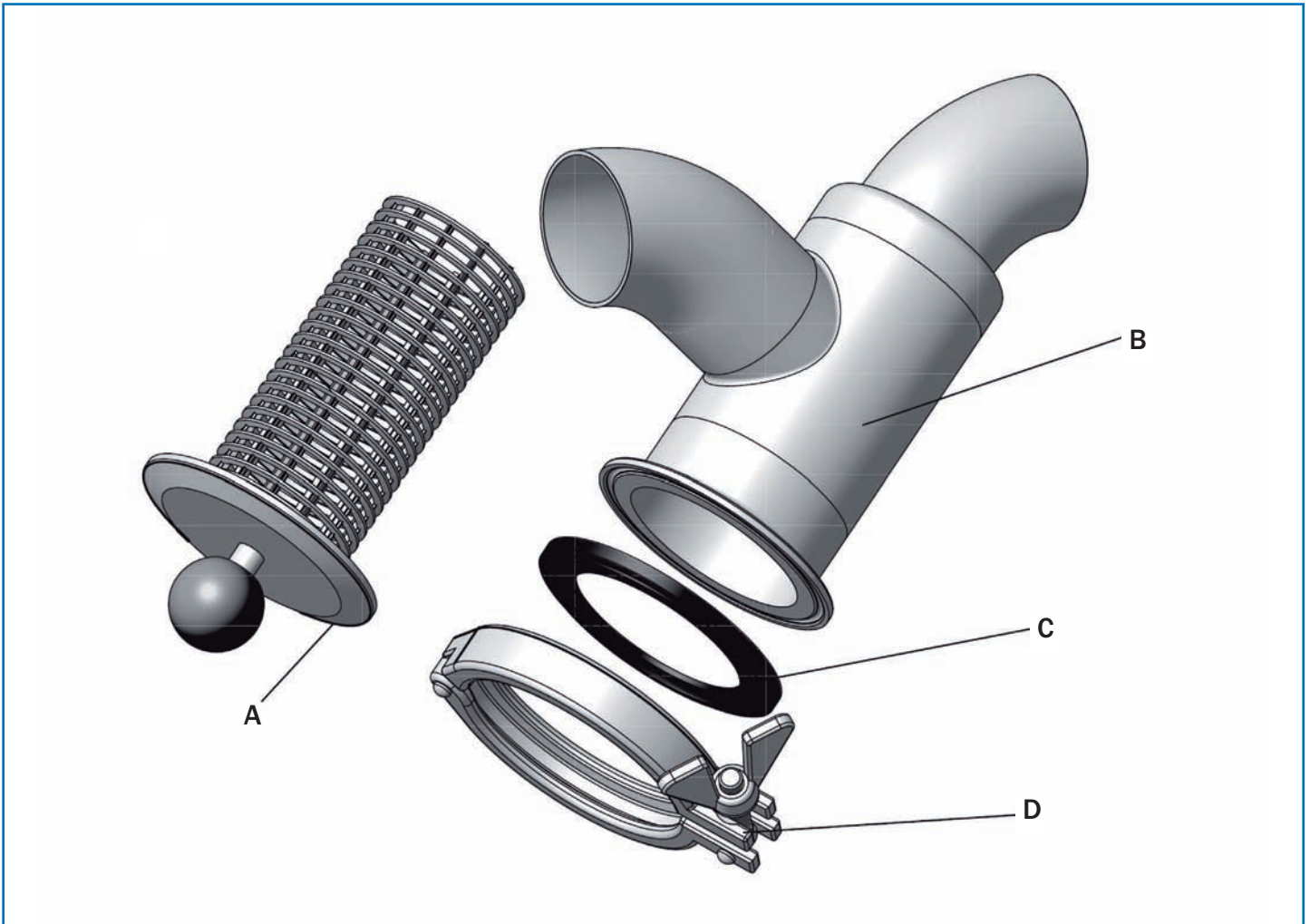


### Dirt Trap Weld/Weld DIN

DN DIN	D1	D2	L	L1	Weight [kg]
25	26	29	147	123	1.61
40	38	41	172.5	153	2.44
50	50	53	187	156	2.50
65	66	70	215.5	179	3.39
80	81	85	240.5	197	4.13
100	100	104	269.5	235	6.37

## Dirt Traps and Accessories

### Explosion View



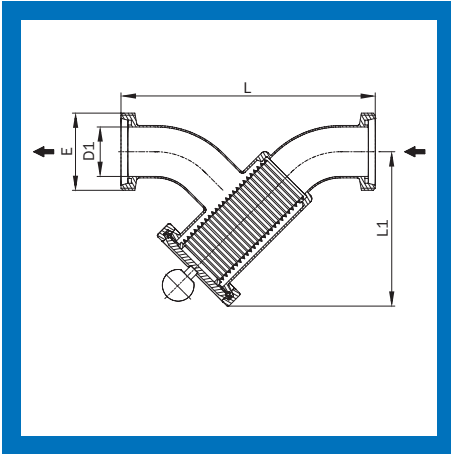
- A** Strainer insert
- B** Casing
- C** Clamp seal ring
- D** Heavy duty clamp

#### Dirt Trap Weld/Weld DIN

1.4301 (304)/EPDM		1.4404 (316L)/EPDM		
DN DIN	Price/EUR	Article No.	Price/EUR	Article No.
25	215,00	61025 221 025 10	260,00	61025 221 025 30
40	268,00	61025 221 040 10	329,00	61025 221 040 30
50	283,00	61025 221 050 10	360,00	61025 221 050 30
65	385,00	61025 221 065 10	484,00	61025 221 065 30
80	480,00	61025 221 080 10	603,00	61025 221 080 30
100	696,00	61025 221 100 10	907,00	61025 221 100 30

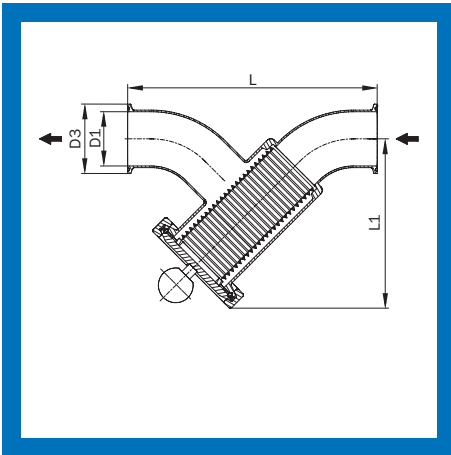
Price incl. 1 mm slotted strainer tube

## Dirt Traps and Accessories



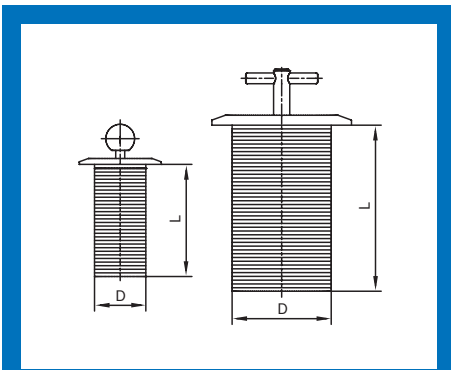
**Dirt Trap Male/Male DIN**

DN DIN	D1	E	L	L1	Weight [kg]
25	26	Rd 52 x 1/6"	205	123	1.89
40	38	Rd 65 x 1/6"	237.5	153	2.58
50	50	Rd 78 x 1/6"	256	156	3.03
65	66	Rd 95 x 1/6"	294.5	179	4.20
80	81	Rd 110 x 1/4"	329.5	197	5.39
100	100	Rd 130 x 1/4"	377.5	235	7.94



**Dirt Trap Clamp/Clamp DIN**

DN DIN	D1	D3	L	L1	Weight [kg]
25	26	50.5	147	189	1.75
40	38	50.5	172.5	214.5	2.54
50	50	64	187	229	2.63
65	66	91	215.5	270.5	3.75
80	81	106	240.5	295.5	4.58
100	100	119	269.5	325.5	6.81

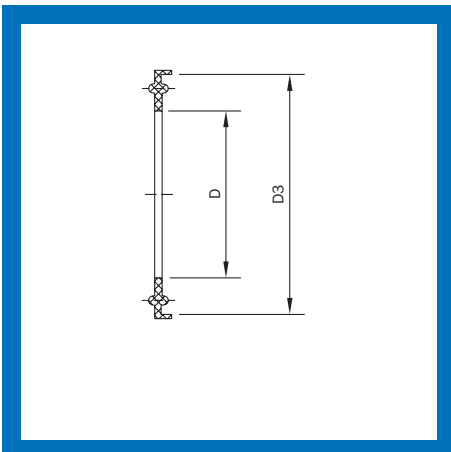


**Strainer Insert for Dirt Trap**

DN DIN	D	L	Free screening area (cm <sup>2</sup> )			Weight [kg]
			0.25 mm	0.5 mm	1.0 mm	
25	38	100	21	37	91	0.87
40 - 50	57	125	40	71	172	1.24
65	73	145	61	106	257	1.56
80	85	160	79	137	331	1.86
100	110	185	119	205	498	2.34

DN25 - DN50

DN65 - DN100



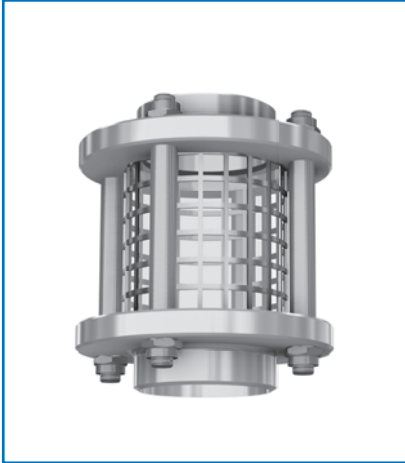
**Clamp Seal Ring**

DN DIN	D	D3
25	50.2	64
40 - 50	66.2	91
65	81.2	106
80	100.2	119
100	125.2	155





## Inline Sight Glasses and Accessories



The AWH inline sight glass presented in this catalogue offers a range of advantages over conventional products:

1. Its design prevents incorrect assembly thanks to the following:
  - stud bolt with stop collar, which also increases resistance to fracture
  - predefined pre-compression of the seal ring on the glass cylinder
  - use of standard components from the catalogue
  - self-locking nuts
2. Optimum visibility thanks to easy-to-clean safety screen made of shock-resistant plastic. Does not restrict visibility like stamped sheet metal.
3. Available in nominal diameters of DN10 - DN150.
4. The pressure specifications for inline sight glasses can be found in the table on glass cylinders for inline sight glasses.

### Technical Parameter

<b>Material:</b>	in contact with the product: 1.4301 (304) /1.4307 (304L), 1.4404 (316L) not in contact with the product: 1.4301 (304) /1.4307 (304L) Glass cylinder: Borosilicat
<b>Surface:</b>	inside: $Ra \leq 0.8 \mu m$
<b>Compressive strength:</b>	nominal pressure: PN10 up to DN65, larger dimensions see table glass cylinders for inline sight glasses
<b>Connections:</b>	standard: welding ends DIN EN 10357 alternative: male ends DIN 11851 alternative: liner ends DIN 11851 (other variants on request)

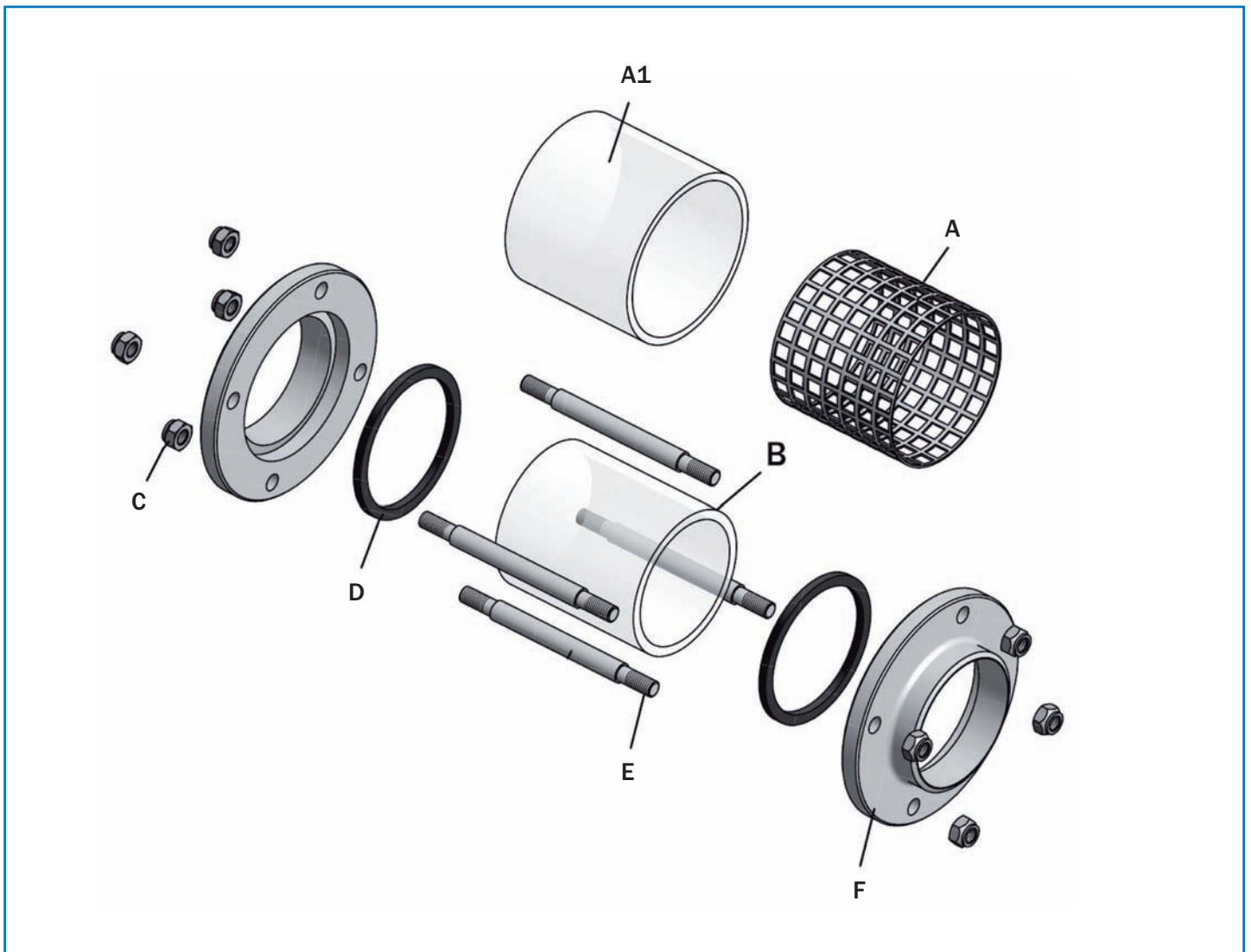
### Technical Parameter Polycarbonat (safety screen for inline sight glass)

<b>Color:</b>	transparent (translucency > 86%)
<b>Material:</b>	thermoplastic polymer
<b>Operating temperature:</b>	up to about 120°C, for short duration during cleaning
<b>Typical field of use:</b>	highly fracture-resistant and shock-resistant, excellent translucency resistant to mineral acids, many organic acids, oxidation and reducing agents, neutral and acidic saline solutions, many different fats, waxes and oils
<b>Limitations of use:</b>	not very scratch-resistant, not intended for parts that come into contact with the product not resistant to aqueous or alcoholic alkalis, ammonia gas or solutions and amines of these heavy swelling with benzene, chlorobenzene, tetralin, acetone, ethyl acetate, acetonitrile and carbon tetrachloride
<b>Recommended cleaning agent:</b>	company WIGOL: 30 20 04, 30 20 00, 1085, 60 80 25; company WEBCO: „alcip“

### Installation Instructions

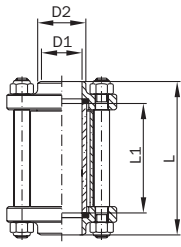
During assembly, ensure that a suitable gasket is installed on both sides of the glass cylinder. The surfaces of the gaskets must be free of impurities and undamaged. Nuts must be tightened in a criss-cross fashion and in several increments.

## Explosion View



- A** Safety screen perforated plate
- A1** Safety screen polycarbonat
- B** Glass cylinder
- C** Hexagonal nut
- D** Seal ring
- E** Studbolt
- F** Flange

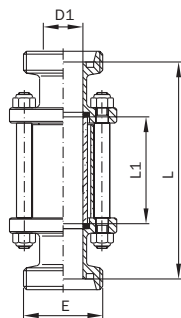
## Inline Sight Glasses and Accessories



Delivery only with safety screen.

### Inline Sight Glass Weld/Weld DIN

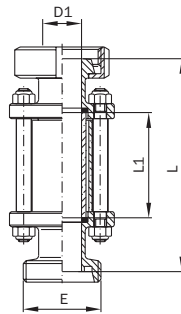
DN DIN	D1	D2	L	L1	Weight [kg]
10	10	15	88	60	0.25
15	16	21	88	60	0.30
20	20	25	88	60	0.73
25	26	31	98	70	0.75
32	32	37	104	70	0.76
40	38	43	112	70	1.08
50	50	55	112	70	1.34
65	66	72	127	85	1.90
80	81	87	135	85	2.35
100	100	106	169	115	2.80
125	125	132	202	160	6.35
150	150	157	216	170	7.11



Delivery only with safety screen.

### Inline Sight Glass Male/Male DIN

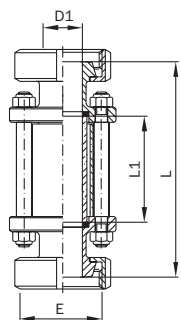
DN DIN	D1	E	L	L1	Weight [kg]
10	10	Rd 28 x 1/8"	122	60	0.32
15	16	Rd 34 x 1/8"	122	60	0.39
20	20	Rd 44 x 1/6"	124	60	0.90
25	26	Rd 52 x 1/6"	142	70	1.00
32	32	Rd 58 x 1/6"	154	70	1.08
40	38	Rd 65 x 1/6"	164	70	1.50
50	50	Rd 78 x 1/6"	168	70	1.94
65	66	Rd 95 x 1/6"	191	85	2.80
80	81	Rd 110 x 1/4"	209	85	3.10
100	100	Rd 130 x 1/4"	257	115	4.36
125	125	Rd 160 x 1/4"	270	160	8.80
150	150	Rd 190 x 1/4"	290	170	10.50



Delivery only with safety screen.

### Inline Sight Glass Male/Liner DIN

DN DIN	D1	E	L	L1	Weight [kg]
10	10	Rd 28 x 1/8"	122	60	0.38
15	16	Rd 34 x 1/8"	122	60	0.45
20	20	Rd 44 x 1/6"	124	60	0.69
25	26	Rd 52 x 1/6"	142	70	1.02
32	32	Rd 58 x 1/6"	154	70	1.25
40	38	Rd 65 x 1/6"	164	70	1.67
50	50	Rd 78 x 1/6"	168	70	2.17
65	66	Rd 95 x 1/6"	191	85	3.26
80	81	Rd 110 x 1/4"	209	85	3.71
100	100	Rd 130 x 1/4"	257	115	5.10
125	125	Rd 160 x 1/4"	270	160	9.50
150	150	Rd 190 x 1/4"	290	170	11.30



Delivery only with safety screen.

### Inline Sight Glass Liner/Liner DIN

DN DIN	D1	E	L	L1	Weight [kg]
10	10	Rd 28 x 1/8"	122	60	0.44
15	16	Rd 34 x 1/8"	122	60	0.52
20	20	Rd 44 x 1/6"	124	60	1.08
25	26	Rd 52 x 1/6"	142	70	1.20
32	32	Rd 58 x 1/6"	154	70	1.41
40	38	Rd 65 x 1/6"	164	70	1.89
50	50	Rd 78 x 1/6"	168	70	2.50
65	66	Rd 95 x 1/6"	191	85	3.64
80	81	Rd 110 x 1/4"	209	85	4.27
100	100	Rd 130 x 1/4"	257	115	6.13
125	125	Rd 160 x 1/4"	270	160	10.20
150	150	Rd 190 x 1/4"	290	170	11.79

## Inline Sight Glasses and Accessories

### Inline Sight Glass Weld/Weld DIN

1.4301 (304)/NBR without safety screen			1.4404 (316L)/NBR without safety screen	
DN DIN	Price/EUR	Article No.	Price/EUR	Article No.
10	58,70	6000 01 00 1/3	81,30	6000 01 00 2/3
15	60,70	6000 03 00 1/3	83,10	6000 03 00 2/3
20	64,80	6000 04 00 1/3	90,00	6000 04 00 2/3
25	45,90	6000 05 00 1/3	63,70	6000 05 00 2/3
32	47,10	6000 06 00 1/3	65,10	6000 06 00 2/3
40	49,20	6000 07 00 1/3	68,30	6000 07 00 2/3
50	53,40	6000 08 00 1/3	75,20	6000 08 00 2/3
65	66,60	6000 09 00 1/3	92,90	6000 09 00 2/3
80	92,00	6000 10 00 1/3	128,70	6000 10 00 2/3
100	118,90	6000 12 00 1/3	165,60	6000 12 00 2/3
125	338,80	6000 13 00 1/3	471,90	6000 13 00 2/3
150	665,30	6000 15 00 1/3	929,10	6000 15 00 2/3

### Inline Sight Glass Male/Male DIN

1.4301 (304)/NBR without safety screen			1.4404 (316L)/NBR without safety screen	
DN DIN	Price/EUR	Article No.	Price/EUR	Article No.
10	78,60	6001 01 00 1/3	108,80	6001 01 00 2/3
15	80,90	6001 03 00 1/3	112,40	6001 03 00 2/3
20	90,70	6001 04 00 1/3	125,80	6001 04 00 2/3
25	66,00	6001 05 00 1/3	91,80	6001 05 00 2/3
32	70,80	6001 06 00 1/3	97,80	6001 06 00 2/3
40	74,80	6001 07 00 1/3	104,10	6001 07 00 2/3
50	80,90	6001 08 00 1/3	113,20	6001 08 00 2/3
65	103,10	6001 09 00 1/3	144,00	6001 09 00 2/3
80	142,80	6001 10 00 1/3	199,50	6001 10 00 2/3
100	191,50	6001 12 00 1/3	267,40	6001 12 00 2/3
125	474,00	6001 13 00 1/3	661,10	6001 13 00 2/3
150	862,80	6001 15 00 1/3	1206,40	6001 15 00 2/3

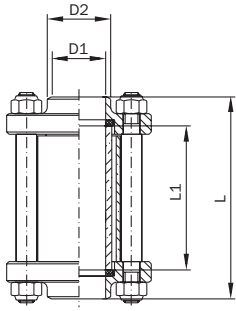
### Inline Sight Glass Male/Liner DIN

1.4301 (304)/NBR without safety screen			1.4404 (316L)/NBR without safety screen	
DN DIN	Price/EUR	Article No.	Price/EUR	Article No.
10	85,40	6003 01 00 1/3	111,80	6003 01 00 2/3
15	85,90	6003 03 00 1/3	119,20	6003 03 00 2/3
20	93,00	6003 04 00 1/3	128,80	6003 04 00 2/3
25	70,70	6003 05 00 1/3	98,20	6003 05 00 2/3
32	76,60	6003 06 00 1/3	106,70	6003 06 00 2/3
40	80,50	6003 07 00 1/3	112,30	6003 07 00 2/3
50	88,30	6003 08 00 1/3	123,50	6003 08 00 2/3
65	115,30	6003 09 00 1/3	161,20	6003 09 00 2/3
80	158,30	6003 10 00 1/3	221,50	6003 10 00 2/3
100	218,60	6003 12 00 1/3	305,70	6003 12 00 2/3
125	512,50	6003 13 00 1/3	715,90	6003 13 00 2/3
150	950,20	6003 15 00 1/3	1376,80	6003 15 00 2/3

### Inline Sight Glass Liner/Liner DIN

1.4301 (304)/NBR without safety screen			1.4404 (316L)/NBR without safety screen	
DN DIN	Price/EUR	Article No.	Price/EUR	Article No.
10	82,80	6002 01 00 1/3	114,60	6002 01 00 2/3
15	89,50	6002 03 00 1/3	124,70	6002 03 00 2/3
20	95,40	6002 04 00 1/3	131,90	6002 04 00 2/3
25	75,40	6002 05 00 1/3	104,70	6002 05 00 2/3
32	82,40	6002 06 00 1/3	114,50	6002 06 00 2/3
40	86,20	6002 07 00 1/3	120,20	6002 07 00 2/3
50	95,70	6002 08 00 1/3	134,00	6002 08 00 2/3
65	127,60	6002 09 00 1/3	178,80	6002 09 00 2/3
80	173,80	6002 10 00 1/3	243,20	6002 10 00 2/3
100	245,70	6002 12 00 1/3	343,20	6002 12 00 2/3
125	551,00	6002 13 00 1/3	769,50	6002 13 00 2/3
150	1037,80	6002 15 00 1/3	1450,10	6002 15 00 2/3

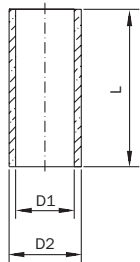
## Inline Sight Glasses and Accessories



Delivery only with safety screen.

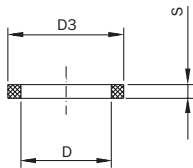
### Inline Sight Glass Weld/Weld Inch

DN Inch	D1	D2	L	L1	Weight [kg]
1"	22.1	25.4	96	70	0.72
1 1/2"	34.8	38.1	110	70	1.12
2"	47.5	50.8	110	70	1.38
2 1/2"	60.2	63.5	124	85	1.90
3"	72.9	76.2	132	85	2.35
4"	97.38	101.6	167	115	2.80



### Borosilicate Glass Cylinder

DN DIN	DN Inch	D1	D2	L	Max. working pressure (bar)	Weight [kg]
10		10	15	60	10	0.02
15		17	22	60	10	0.02
20		20	26	60	10	0.03
25	1"	26	32	70	10	0.04
32		34	40	70	10	0.06
40	1 1/2"	40	50	70	10	0.11
50	2"	50	60	70	10	0.14
	2 1/2"	60	70	85	10	0.18
65		65	75	85	10	0.21
	3"	75	85	90	9	0.27
80		80	90	85	8	0.30
100	4"	100	110	115	7	0.43
125		126	140	160	7	1.12
150		152	170	170	7	1.80



### Seal Ring

DN DIN	DN Inch	D	D3	S
10		10	16	3
15		16	23	3
20		20	27	3
25	1"	26	33	3
32		32	39	3
40	1 1/2"	38	51	3
50	2"	50	61	3
	2 1/2"	61	72	3
65		66	76	3
	3"	76	87	4
80		81	91	4
100	4"	100	111	4
125		125	141	4
150		150	171	4

## Inline Sight Glasses and Accessories

### Inline Sight Glass Weld/Weld Inch

1.4301 (304)/NBR without safety screen			1.4404 (316L)/NBR without safety screen		
DN Inch	Price/EUR	Article No.	Price/EUR	Article No.	
1"	45,70	6000 54 00 1/3	63,70	6000 54 00 2/3	
1 1/2"	51,40	6000 57 00 1/3	71,00	6000 57 00 2/3	
2"	55,50	6000 58 00 1/3	77,50	6000 58 00 2/3	
2 1/2"	69,30	6000 59 00 1/3	97,20	6000 59 00 2/3	
3"	96,70	6000 60 00 1/3	134,60	6000 60 00 2/3	
4"	122,40	6000 62 00 1/3	170,60	6000 62 00 2/3	

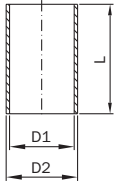
### Borosilicate Glass Cylinder

DN DIN	DN Inch	Price/EUR	Article No.	
10		4,00	6000 01 03 9	
15		4,00	6000 03 03 9	
20		4,00	6000 04 03 9	
25	1"	4,00	6000 05 03 9	
32		4,10	6000 06 03 9	
40	1 1/2"	4,30	6000 07 03 9	
50	2"	5,00	6000 08 03 9	
	2 1/2"	6,00	6000 59 03 9	
65		6,20	6000 09 03 9	
	3"	7,00	6000 60 03 9	
80		7,00	6000 10 03 9	
100	4"	14,00	6000 12 03 9	
125		40,20	6000 13 03 9	
150		73,80	6000 15 03 9	

### Seal Ring

NBR				EPDM			
DN DIN	DN Inch	Spare part price/EUR	Article No.	Spare part price/EUR	Article No.	Surcharge/EUR	
10		0,92	6000 01 05 3	1,15	6000 01 05 1	0,46	
15		0,97	6000 03 05 3	1,20	6000 03 05 1	0,46	
20		1,00	6000 04 05 3	1,25	6000 04 05 1	0,51	
25	1"	1,02	6000 05 05 3	1,28	6000 05 05 1	0,51	
32		1,05	6000 06 05 3	1,35	6000 06 05 1	0,61	
40	1 1/2"	1,07	6000 07 05 3	1,38	6000 07 05 1	0,61	
50	2"	1,12	6000 08 05 3	1,41	6000 08 05 1	0,56	
	2 1/2"	1,18	6000 59 05 3	1,48	6000 59 05 1	0,61	
65		1,20	6000 09 05 3	1,51	6000 09 05 1	0,61	
	3"	1,33	6000 60 05 3	1,56	6000 60 05 1	0,46	
80		1,28	6000 10 05 3	1,61	6000 10 05 1	0,66	
100	4"	1,35	6000 12 05 3	1,71	6000 12 05 1	0,72	
125		5,04	6000 13 05 3	6,29	6000 13 05 1	2,50	
150		6,75	6000 15 05 3	8,44	6000 15 05 1	3,37	

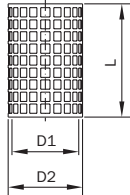
## Inline Sight Glasses and Accessories



According to risk assessment AWH inline sight glasses are supplied with safety screen.

### Safety Screen (Polycarbonat)

DN DIN	DN Inch	D1	D2	L	Weight [kg]
10		20	24	50	0.01
15		27	30	50	0.01
20		35	38	50	0.01
25	1"	36	40	61	0.01
32		42	45	61	0.02
40	1 1/2"	54	60	61	0.02
50	2"	66	70	61	0.03
80	3"	95	100	77	0.04
100	4"	128	133	103	0.07
150		194	200	158	0.17



According to risk assessment AWH inline sight glasses are supplied with safety screen.

### Safety Screen (perforated plate)

DN DIN	DN Inch	D1	D2	L	Weight [kg]
10		19	21	46	0.01
15		25	27	46	0.01
20		29	31	46	0.01
25	1"	34	36	60	0.01
32		41	43	60	0.02
40	1 1/2"	52	54	60	0.02
50	2"	63	65	60	0.03
65	2 1/2"	78	80	74	0.04
80	3"	94	96	74	0.04
100	4"	113	115	102	0.07
125		143	145	144	0.12
150		173	175	158	0.17



## Inline Sight Glasses and Accessories

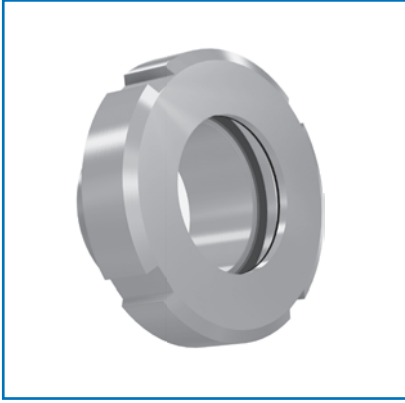
### Safety Screen (Polycarbonat)

1.4301 (304)			
DN DIN	DN Inch	Price/EUR	Article No.
10		4,04	6000 01 04 9
15		3,94	6000 03 04 9
20		3,94	6000 04 04 9
25	1"	4,04	6000 05 04 9
32		4,50	6000 06 04 9
40	1 1/2"	5,27	6000 07 04 9
50	2"	5,01	6000 08 04 9
80	3"	9,20	6000 10 04 9
100	4"	11,81	6000 12 04 9
150		26,28	6000 15 04 9

### Safety Screen (perforated plate)

1.4301 (304)			
DN DIN	DN Inch	Price/EUR	Article No.
10		9,28	6000 01 06 1
15		9,51	6000 03 06 1
20		11,12	6000 04 06 1
25	1"	11,38	6000 05 06 1
32		11,63	6000 06 06 1
40	1 1/2"	13,42	6000 07 06 1
50	2"	13,91	6000 08 06 1
65	2 1/2"	18,10	6000 09 06 1
80	3"	20,32	6000 10 06 1
100	4"	24,57	6000 12 06 1
125		34,79	6000 13 06 1
150		47,40	6000 15 06 1

## Sight Glasses and Accessories



1. In the standard sight glass, a pane of tempered glass is screwed in to a male with a welded end using a seal ring and a grooved nut. The sight glass is made of Borosilicate glass, which offers excellent strength and thermal stability. The maximum temperature is 280 °C (acc. to DIN 7080). The change in temperature from 230 °C to 20 °C must take at least 1 minute.
2. The sight glass with a wiper blade is used for liquids with large amounts of solid particles that can leave deposits on the Borosilicate pane.
3. The light for the sight glass comes in two different versions:
  - For the sight glass unit DIN welding ends. With this version, the medium is transilluminated.
  - For the sight glass DIN welding. In this case, the medium is illuminated.

When properly installed, a protective rating of IP65 in compliance with EN 60529 / DIN VDE 0470 Part 1 (dust tight and protected against low pressure jets of water) is achieved.

**The lights are not suited for use in explosion-prone operating environments.**

### Technical Parameter

<b>Material:</b>	in contact with the product: 1.4301 (304) /1.4307 (304L), 1.4404 (316L) not in contact with the product: 1.4301 (304) /1.4307 (304L) Sight glass: Borosilicate
<b>Surface:</b>	inside: $Ra \leq 0.8 \mu m$ outside: fine turned
<b>Anschlüsse:</b>	standard: welding ends DIN EN 10357

### Installation Instructions

When welding the male, ensure that the unit is not deformed during the welding process. This must be done by trained and authorised personnel.

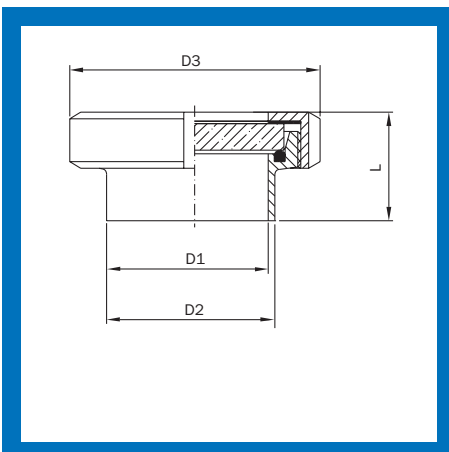
#### Additional Installation Instructions for the Sight Glass with Light

- The light must be installed by trained, authorised personnel with the voltage specified on the identification plate.
- Sight glass lights have a dedicated purpose and are designed exclusively for the intended application.
- Inline sight glasses with a built-in pushbutton are designed for pushbutton mode only.
- Inline sight glasses intended for continuous operation must be operated using an external switch. This must always be specified in the order.
- The lights are not suitable for explosion-prone operating environments.

**Attention: Continuous operation is only permitted for some lights. Please be aware of this when ordering and always specify this in your order!**

#### Additional Installation Instructions for the Sight Glass with Wiper Blade

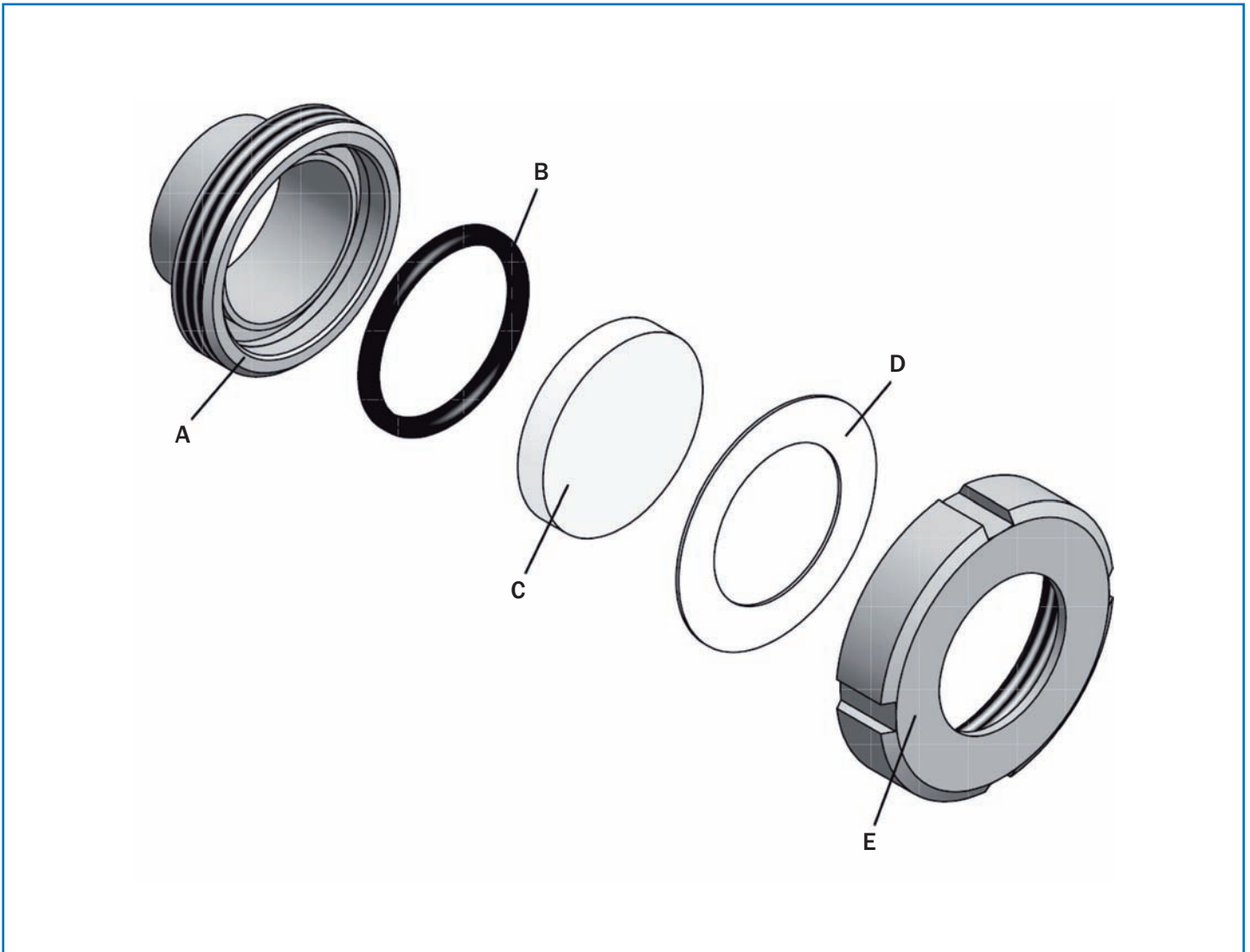
- The wiper blade may only be used in a temperature range of -40 °C to 140 °C.
- The maximum nominal pressure of the unit is 6 bar.
- The wiper screw must be regularly checked for tightness and re-tightened as necessary.



**Sight Glass with Borosilicate Glass for Pipe Dimensions acc. to DIN EN 10357**

DN DIN	D1	D2	D3	L	Weight [kg]
25	26	29	63	37	0.31
32	32	35	70	40	0.40
40	38	41	78	41	0.48
50	50	53	92	43	0.69
65	66	70	112	48	1.10
80	81	85	127	54	1.61
100	100	104	148	64	2.27
125	125	129	178	58	3.08
150	150	154	210	60	5.28

## Explosion View

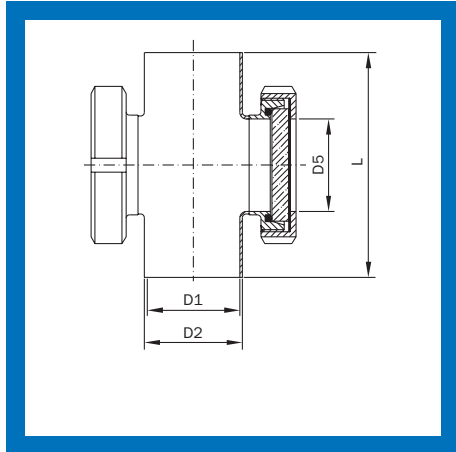


- A** Male
- B** Seal ring
- C** Borosilicate glass
- D** Disc
- E** Nut

### Sight Glass with Borosilicate Glass for Pipe Dimensions acc. to DIN EN 10357

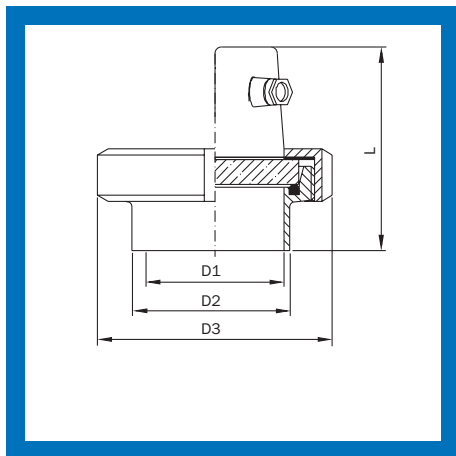
1.4301 (304)/NBR		1.4404 (316L)/NBR		
DN DIN	Price/EUR	Article No.	Price/EUR	Article No.
25	37,25	6020 05 00 1/3	53,46	6020 05 00 2/3
32	39,37	6020 06 00 1/3	58,67	6020 06 00 2/3
40	41,64	6020 07 00 1/3	61,30	6020 07 00 2/3
50	44,28	6020 08 00 1/3	67,00	6020 08 00 2/3
65	56,17	6020 09 00 1/3	75,59	6020 09 00 2/3
80	77,26	6020 10 00 1/3	101,36	6020 10 00 2/3
100	104,89	6020 12 00 1/3	131,17	6020 12 00 2/3
125	177,90	6020 13 00 1/3	222,36	6020 13 00 2/3
150	415,73	6020 15 00 1/3	519,68	6020 15 00 2/3

## Sight Glasses and Accessories



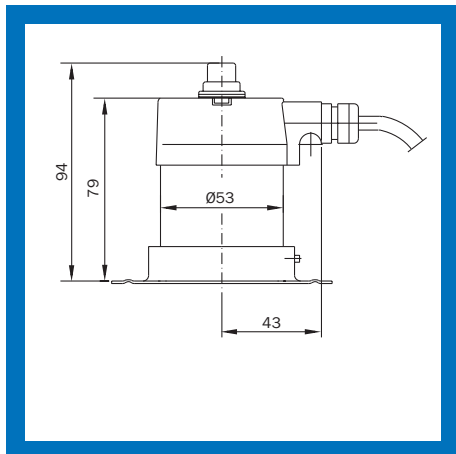
**Inline Sight Glass Unit for Pipe Dimensions acc. to DIN EN 10357 Weld/Weld DIN**

DN DIN	D1	D2	D5	L	Weight [kg]
25	25	28	26	100	0.85
25	26	29	26	100	0.85
32	31	34	32	110	0.90
32	32	35	32	110	0.90
40	37	40	38	120	1.10
40	38	41	38	120	1.10
50	49	52	50	140	1.50
50	50	53	50	140	1.50
65	66	70	66	160	1.80
80/65	81	85	66	180	2.80
100/65	100	104	66	200	3.00
125/100	125	129	100	375	6.20
150/100	150	154	100	450	6.50



**Sight Glass with Light**

DN DIN	D1	D2	D3	L	Weight [kg]
65	66	70	112	110	1.40
80	81	85	127	135	2.10
100	100	104	148	153	2.70
125	125	129	178	150	3.60



**Light for Inline Sight Glass Unit Weld/Weld DIN**

DN DIN
65
100

## Sight Glasses and Accessories

### Inline Sight Glass Unit for Pipe Dimensions acc. to DIN EN 10357 Weld/Weld DIN

1.4301 (304)/NBR			1.4404 (316L)/NBR	
DN DIN	Price/EUR	Article No.	Price/EUR	Article No.
25	123,91	6021 05 00 1/3	162,18	6021 05 00 2/3
25	123,91	6021 43 00 1/3	162,18	6021 43 00 2/3
32	129,48	6021 06 00 1/3	171,92	6021 06 00 2/3
32	129,48	6021 44 00 1/3	171,92	6021 44 00 2/3
40	132,50	6021 07 00 1/3	184,99	6021 07 00 2/3
40	132,50	6021 45 00 1/3	184,99	6021 45 00 2/3
50	147,30	6021 08 00 1/3	207,64	6021 08 00 2/3
50	147,30	6021 46 00 1/3	207,64	6021 46 00 2/3
65	157,91	6021 09 00 1/3	221,41	6021 09 00 2/3
80/65	200,22	6021 10 00 1/3	260,07	6021 10 00 2/3
100/65	221,44	6021 12 00 1/3	289,29	6021 12 00 2/3
125/100	422,05	6021 13 00 1/3	*	6021 13 00 2/3
150/100	469,47	6021 15 00 1/3	*	6021 15 00 2/3

### Sight Glass with Light

1.4301 (304)/NBR		
DN DIN	Price/EUR	Article No.
65	426,95	6022 09 00
80	463,79	6022 10 00
100	531,51	6022 12 00
125	680,40	6022 13 00

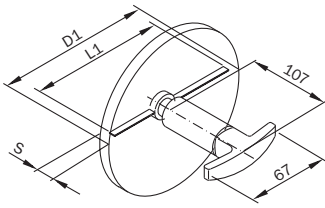
Protection class: IP65  
 Electrical data  
 Operating voltage: 24 V (12 V also possible)  
 Bulb: 2 pin halogen bulb 20 W and 50 W, depending on the type

### Light for Inline Sight Glass Unit Weld/Weld DIN

DN DIN	Price/EUR	Article No.
65	307,80	6023 09 00 0
100	307,80	6023 12 00 0

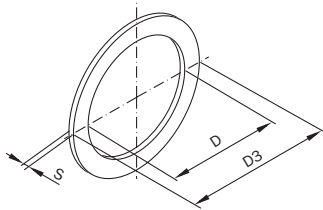
Protection class: IP65  
 Operating conditions: maximum permitted ambient temperature at the cable gland is 55 °C  
 Electrical data  
 Operating voltage: without built-in pushbutton: 24 V, 20 W halogen bulb  
 with built-in pushbutton: 24 V, 50 W halogen bulb

## Sight Glasses and Accessories



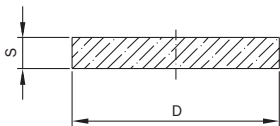
### Wiper Blade with Sight Glass Plate

DN DIN	D1	S	L1	Weight [kg]
65	80	12	63	0.20
80	100	15	77	0.48
100	113	15	97	0.53



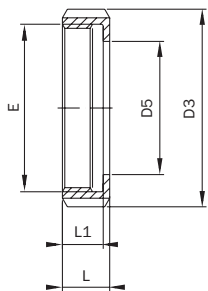
### Disc

DN DIN	D	D3	S	Weight [kg]
25	26	52	1	0.00
32	32	58	1	0.01
40	38	65	1	0.01
50	50	78	1	0.01
65	66	95	1	0.01
80	81	110	1	0.01
100	100	130	1	0.02
125	125	160	1	0.04
150	150	190	1	0.05



### Borosilicate Glass

DN DIN	D	S	Weight [kg]
25	45	10	0.03
32	50	10	0.04
40	55	10	0.06
50	63	10	0.08
65	80	12	0.14
80	100	15	0.29
100	117	15	0.33
125	150	20	0.66
150	175	20	1.18



### Nut for Sight Glass

DN	D3	D5	E	L	L1	Weight [kg]
25	63	26	Rd 52 x 1/6"	21	18	0.18
32	70	32	Rd 58 x 1/6"	21	18	0.22
40	78	38	Rd 65 x 1/6"	21	18	0.25
50	92	50	Rd 78 x 1/6"	22	19	0.33
65	112	66	Rd 95 x 1/6"	25	21	0.55
80	127	81	Rd 110 x 1/4"	29	25	0.80
100	148	100	Rd 130 x 1/4"	31	26	1.08
125	178	125	Rd 160 x 1/4"	35	30	1.45
150	210	150	Rd 190 x 1/4"	40	34	1.88

## Sight Glasses and Accessories

### Wiper Blade with Sight Glass Plate

DN DIN	Price/EUR	Article No.
65	264,85	6024 09 00
80	286,32	6024 10 00
100	286,32	6024 12 00

For optional manual cleaning of glass plates in inline sight glass units  
 Operating conditions: vacuum-tight; pressure-resistant up to at least 2 bar  
 6 bar depending on the dimensions of the sight glass plate  
 max. permitted temperature: 220 °C  
 (depending on the sight glass plate used)

### Disc

PTFE		
DN DIN	Price/EUR	Article No.
25	1,41	6020 05 04 4
32	1,92	6020 06 04 4
40	2,20	6020 07 04 4
50	2,51	6020 08 04 4
65	3,37	6020 09 04 4
80	4,14	6020 10 04 4
100	6,77	6020 12 04 4
125	9,66	6020 13 04 4
150	10,48	6020 15 04 4

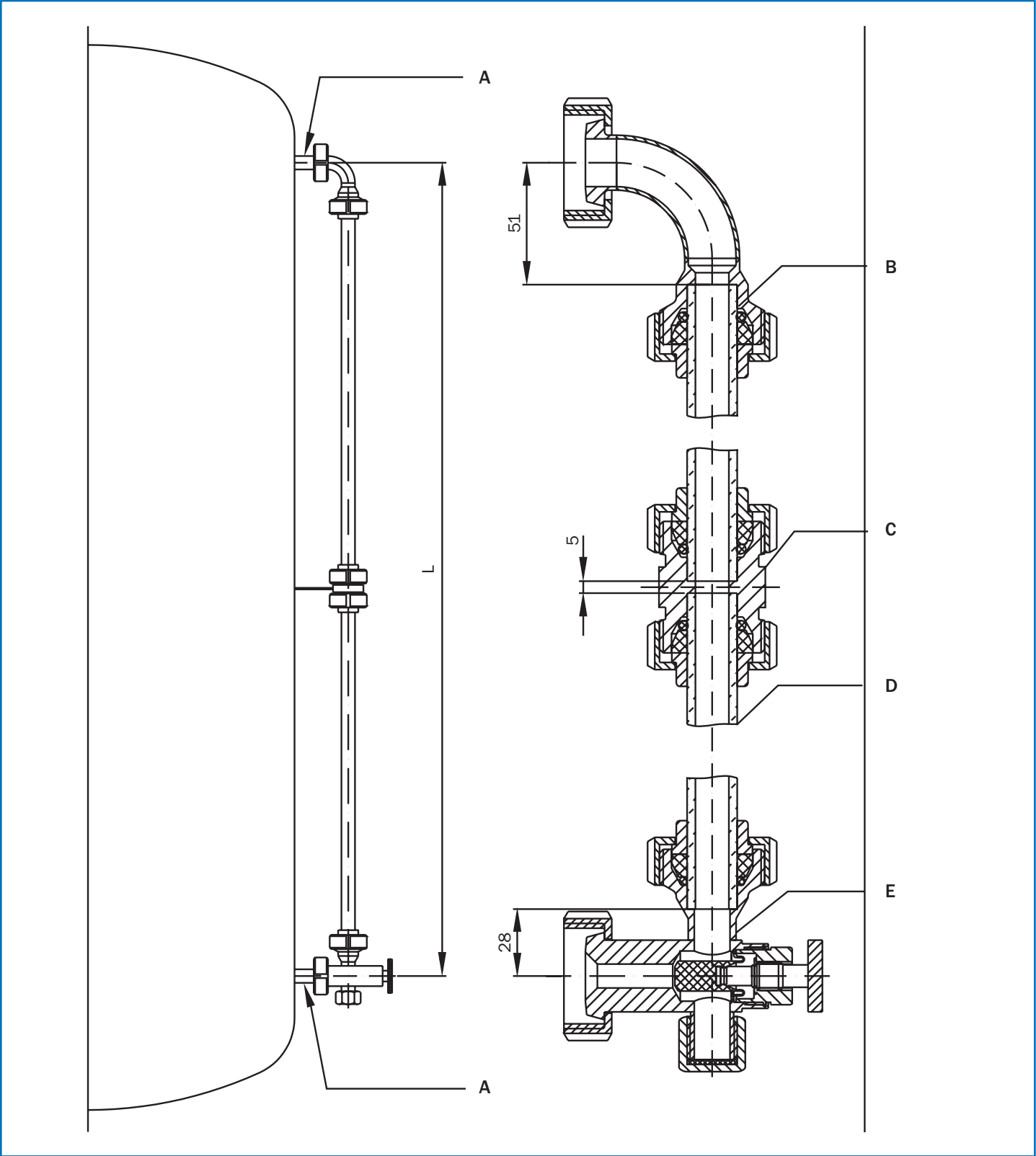
### Borosilicate Glass

DN DIN	Price/EUR	Article No.
25	15,52	6020 05 03 9
32	16,16	6020 06 03 9
40	19,35	6020 07 03 9
50	24,03	6020 08 03 9
65	32,26	6020 09 03 9
80	35,25	6020 10 03 9
100	55,91	6020 12 03 9
125	64,78	6020 13 03 9
150	91,65	6020 15 03 9

### Nut for Sight Glass

1.4301 (304)/pol			1.4404 (316L)/pol	
DN	Price/EUR	Article No.	Price/EUR	Article No.
25	12,25	60015 000 025 10	15,10	60015 000 025 30
32	12,80	60015 000 032 10	15,80	60015 000 032 30
40	13,10	60015 000 040 10	16,00	60015 000 040 30
50	14,00	60015 000 050 10	20,00	60015 000 050 30
65	19,55	60015 000 065 10	27,00	60015 000 065 30
80	28,00	60015 000 080 10	34,15	60015 000 080 30
100	39,15	60015 000 100 10	56,55	60015 000 100 30
125	67,85	60015 000 125 10	120,35	60015 000 125 30
150	226,38	60015 000 150 10	287,25	60015 000 150 30

# 20 Level Indicator

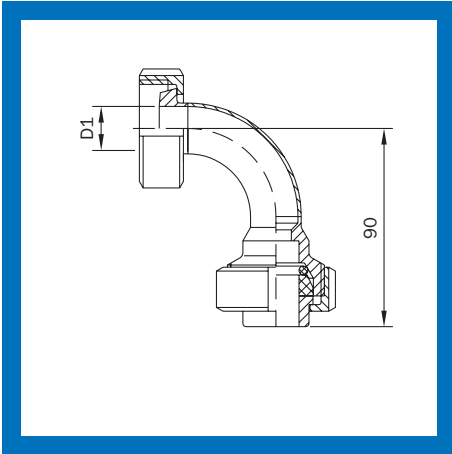


- A** Male DN20
- B** Upper part
- C** Coupling
- D** Glass tube
- E** Valve

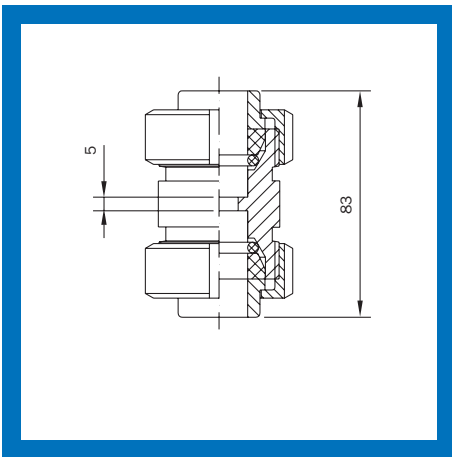
A coupling has to be used for level indicator lengths over 3000 mm.



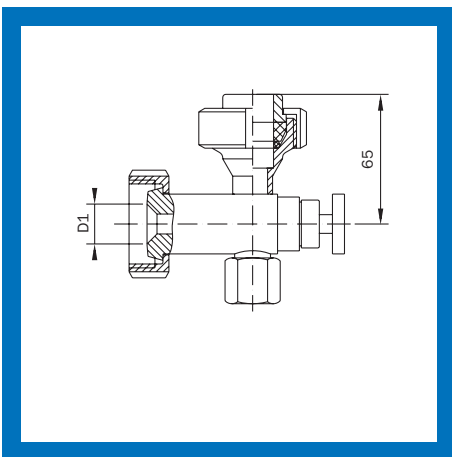
## Level Indicator



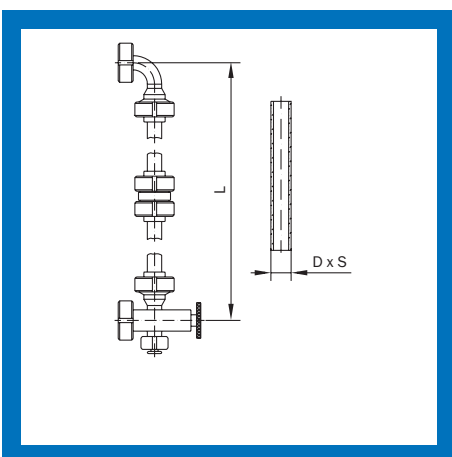
Upper Part for Level Indicator			
DN DIN	D1	1.4404 (316L)	
		Price/EUR	Article No.
20	20	181,30	6310 04 00 2



Coupling for Level Indicator			
DN DIN	1.4404 (316L)		
		Price/EUR	Article No.
20		156,65	6320 04 00 2



Valve for Level Indicator				
DN DIN	DN Inch	D1	Description	1.4404 (316L)
				Price/EUR    Article No.
20		20	with DN10 male and cover cap	326,30    6330 04 00 2
	1/2"		with G 1/2" connecting nipple and cover cap or with drain cock	323,15    6331 04 00 2
	1/2"		Ball cock	8,60    4601 52 00 2



Glass Tube for Level Indicator			
L	D x S	1.4404 (316L)	
		Price/EUR	Article No.
Specify in order	20 x 2.5	*	60005 000 020 66



Armaturenwerk Hötensleben GmbH  
Schulstr. 5-6  
D-39393 Hoetensleben

Tel.: +49 39405 92-0  
Fax: +49 39405 92-111  
e-mail: info@awh.eu  
http://www.awh.eu

## NEUMO Ehrenberg Group

Armaturenwerk Hötensleben GmbH (Germany)

